

LAKE COUNTY FIRE PROTECTION DISTRICT

RFA 2025-0011 Request

14815 OLYMPIC DRIVE, CLEARLAKE,
CALIFORNIA 95422
707-994-2170 PHONE 707-994-4861 FAX

September 18, 2024

To: Redbud Community Health Board

From: Willie Sapeta, Fire Chief,

Re: Request For Assistance Type-VI Rescue/Engine

Dear Redbud Community Health Board.

The Lake County Fire Protection District (LCFPD) is seeking financial assistance in the purchase of a new type-VI rescue/engine. The LCFPD responds to approximately 5,776 calls for service annually with 81% of the calls being EMS related. We currently run a type-I structure fire engine and two ALS ambulances out of our main station in Clearlake with a total of five personnel on 24/7/365. Additionally, we staff one ALS person at our Lower Lake station with a structure or wildland engine, but predominately run a type-VI engine. This is a Ford F-550 4-wheel drive, but fully equipped as a multifaceted engine with extrication equipment, heart monitor, manual CPR device, and staffed with personnel ALS personnel with a complete ALS drug box. This unit responds to all EMS, rescue and traffic collision incidents and can manage and coordinate any EMS related calls for service until a transport unit arrives. From January 01, 2023, to September 01, 2024, this unit responded to 1,246 calls for service which included mutual aid to Southlake County Fire, Kelseyville Fire, and Northshore Fire Protection Districts. This unit was instrumental in the last two snow and winter storm events by getting resources to areas that our larger engines could not access.

This type of resource is versatile because it helps address the high increase in EMS related calls and personnel shortages within the district. We have documented several occasions where our personnel have run call volumes upwards of 50 to 60 calls in a 48-hour period. I have enclosed an overview of the 2023 and 2024 calendar year calls for service for your review. Our current type-VI engine is 19 years old and has over 100,000 miles and upwards of 10,000 hours. It was purchased as a used engine to bridge response gaps we experience on the EMS side and to support the Lower Lake community. Over the past 12 months it has become problematic with continual mechanical requiring it to be out of service for great lengths of time and is in dire need of replacement. To provide an overview of our EMS expenditures over the past 18 months we purchased two new medic units at approximately \$700,000.00, three new gurneys at \$167,000.00, one new Heart Monitor L.P.-15 at \$58,000.00, a new Lucas mechanical CPR device at \$30,000.00 totaling approximately \$955,000.00 out of our general funds and reserves. Along with a need to purchase a new type-III wildland engine to replace two 26-year-old engines which have become more mechanically problematic over the past two years. Current estimates for a new type-III wildland engine are approximately \$650,000.00 which is going to be another significant hit to our general funds and reserves. This TYPE-VI engine is anticipated to cost approximately \$400,000.00. Lake County Fire has

always appreciated the support of the Redbud Community Health Board over many years. We humbly ask for you to consider us again in our joint mission to provide emergency fire and medical services to our community.

Thank you,

Willie Sapeta, Fire Chief,

REDBUC COMMUNITY HEALTH BOARD

REQUEST FOR ASSISTANCE (RFA)

1. SUBJECT of REQUEST: Type -VI Rescue/Engine Replacement

2. REQUESTING ORGANIZATION: Lake County Fire Protection District

3. STREET ADDRESS: 14815 Olympic Drive
CITY: Clearlake Ca, ZIP: 95422
TELEPHONE: (707) 994-2170 or Cell (707) 489-0966

4. INDIVIDUAL ACCOUNTABLE FOR FUNDS: NAME: Willie Sapeta
TITLE: Fire Chief,
Lake County Fire Protection District

5. AMOUNT REQUESTED: \$400,000.00

6. BACKGROUND AND BASIC INFORMATION REGARDING ORGANIZATION:
See Attached Information

7. JUSTIFICATION:
See Attached Information

- 7.1 INTENDED USE OF FUNDS IN DETAIL:
See Attached Information

- 7.2. HOW INTENDED USE OF FUNDS WILL FURTHER DELIVERY HEALTH SERVICES
WITHIN THE REDBUD HEALTH CARE DISTRICT
See Attached Information

- 7.3. DETAILED BASIS FOR FUNDS REQUESTED:
See Attached Information

6. Background on Organization:

The Lake County Fire Protection District is a consolidation of the Lakeshore Fire Protection District and the Lower Lake Fire Protection District that merged in July 2001. With this consolidation came an increase in the response area and service requests. Our previous area of coverage went from approximately 27 square miles to 165 square miles and increased our request for services from approximately 2,100 to an anticipated volume of 3,200 or more. The now Lake County Fire Protection District provides Fire and Rescue and EMS transport Operations for an average population of 21,500 to well over 40,000 during the summer tourist season. Our department has seen several major changes in our roles and responsibilities to our community, but our commitment is to provide a positive compassionate customer-based service. The Lake County Fire Protection District entered the ambulance transport service March 22nd, 2004, and this is our 20th anniversary of providing an all-hazard EMS service. Over the past 20 years the Lake County Fire Chiefs Association has implemented a comprehensive all-hazard response matrix and has dropped all our response boundaries and focused on the closest and fastest resource to every call within Lake County. The implementation of the Tablet Command program further ensures the closest resource concept.

With the all-hazard response matrix, it increased responses to Clearlake Oaks, South Lake County and Kelseyville Fire Protection Districts. Each of these district's transport/transfer to and from the Adventist Health Clearlake Hospital, which are within the Redbud Health Care District Operational Area. Adventist Health Clearlake Hospital is located within the Lake County Fire Protection District and serves as a base hospital for the Lake County Fire Protection District, eastern portion of the Northshore Fire Protection District, a major portion of the Southlake County Fire Protection District and the southeast section of the Kelseyville Fire Protection District for initial evaluation, stabilization and if necessary arrange for transfer to other medical facilities based on type of injury and or illness and occasional medical insurance, such as Kaiser.

The goals of the Lake County Fire Protection District are to meet the current and future challenges, changes and demands that face the Lake County Fire service every day. Our department continually seeks more efficient ways to provide a service to our community and over the past few years our department has seen a tremendous increase in the variety of services we provide. These services range from public assistance, medical emergencies, local transports, priority one interfacility transfers, fire prevention, fire, rescue response operations, and recovery of major incidents, such as the Rocky, Valley, Clayton, Sulfur and Cache fires. As our community continues to grow, so do the needs of our department in all phases of emergency services and emergency management and how we provide a customer needs service in our daily operations.

Over the past several years we have experienced a 5-8 percent increase in our call volume. As we continue to implement various services to manage the increased call volume, we have established three sole paramedics in a quick response vehicle (QRV) to our fleet that encompass our Fire Marshal EMT-Paramedic, Battalion Chief EMT-Paramedic and Fire Chief EMT-Paramedic which can provide complete ALS services until a transport ambulance arrives and completes the transport. Another key piece of equipment is our type-VI engine/rescue, this unit is an F-550 4-wheel drive fully equipped with extrication equipment, heart monitor, Lucas mechanical CPR device, complete ALS drug box and 300 gallons of water for initial attack capabilities for various types of fires. This unit has and continues to bridge the gaps of providing a full ALS EMS service until a transport unit arrives throughout the LCFPD and adjacent fire protection districts along with rescue and minimal firefighting capabilities and versatility.

The additional staffing, purchase of two new medic units, new gurneys, new heart monitors, and Lucas CPR devices has been a profound impact on our annual budget, therefore decreasing funds available to purchase needed equipment to furnish our fleet appropriately. The Lake County Fire Protection District consolidated and increased our response area from 27 square miles to approximately 165 square miles. Our district covers on the east well into the Knoxville/Berryessa areas of Napa County several miles past the Homestake Mine project, to the west along Jago Bay/Point Lakeview area to the Rivera's and along Hwy 29 toward Manning Flat, south along Hwy 29 to Hoffacker lane toward Hidden Valley Lake and Hwy 53 to the Wye Hwy 53 & Hwy 20 corridor.

7. Justification:

The LCFPD request is with the financial assistance for the purchase of a new type-VI engine/rescue. Another key piece of equipment is our type-VI engine/rescue, this unit is an F-550 4-wheel drive fully equipped with extrication equipment, heart monitor, Lucas mechanical CPR device, complete ALS drug box and 200 gallons of water for initial attack capabilities for various types of fires. This unit has and continues to bridge the gaps of providing a full ALS EMS service until a transport unit arrives throughout the LCFPD and adjacent fire protection districts along with rescue and minimal firefighting capabilities and versatility. This unit responded to 1,246 calls for service from January 1, 2023, to September 01, 2024, and is first out to all medical emergencies, rescues, and traffic collisions from our Lower Lake Station throughout our district and adjacent bordering fire districts. Additionally, it was instrumental in our past significant weather events with snow and flooding. It was able to respond and provide a service where other equipment in our fleet was unable to access. Our current type-VI has over 100,000 miles and over 10,000 hours and over the past year has become mechanically problematic and currently out of service awaiting internal engine parts and in need of replacement.

As stated in section 6, the LCFPD maintains a capital replacement plan and due to an increase in our call volume we have had to move equipment replacement up a few years to ensure a continuity of operations to protect our communities and with a trend in our increased call volume we are restructuring our replacement plan to accommodate future increases. With the recent purchase of two new medic units at approximately \$700,000.00, new gurneys at approximately \$167,000.00, new heart monitor at approximately \$58,000.00 and new Lucas CPR device at approximately \$30,000.00 with annual service maintenance contracts on each of them except for the new medic units it adds an additional \$40,000.00 in annual service fees.

Our district continues to see a steady 5-8 percent increase in call volume with the ending total for 2023 at 5,726 calls, which equals 15.8 call every 24 hours. This results in a decreased service life for our fleet, which includes fire and EMS equipment, and we are at a point in need of replacing our type-III wildland engine at an estimated \$650,000.00 adding additional financial constraints and eliminate our ability to replace our 19-year-old type-VI engine/rescue that has over the past 12 months become mechanically problematic and difficult to locate replacement parts for needed repairs that result in an increase in mechanical downtime.

Over the past four years we replaced two type-I structure engines with used equipment and were a great fit for the district and financially a great investment with a life expectancy of 10 years. As for our type-III wildland engines they undergo a great deal of wear and tear and life expectancy is greatly shortened, therefore we look to purchase this type of engine new with the anticipated service life of 15-20 years, which as call volume increase in turn decreases the service life.

7.1 Intended Use of Funds:

Replacement of a new type-VI engine/rescue which a vital fire/EMS/rescue piece of equipment. This unit is an F-550 4-wheel drive fully equipped with extrication equipment, heart monitor, Lucas mechanical CPR device, complete ALS drug box and 200 gallons of water for initial attack capabilities for various types of fires. This unit has and continues to bridge the gaps of providing a full ALS EMS service until a transport unit arrives throughout the LCFPD and adjacent fire protection districts along with rescue and minimal firefighting capabilities.

7.2 How Intended use of funds will further delivery of first responder services within the Lake Op Area:

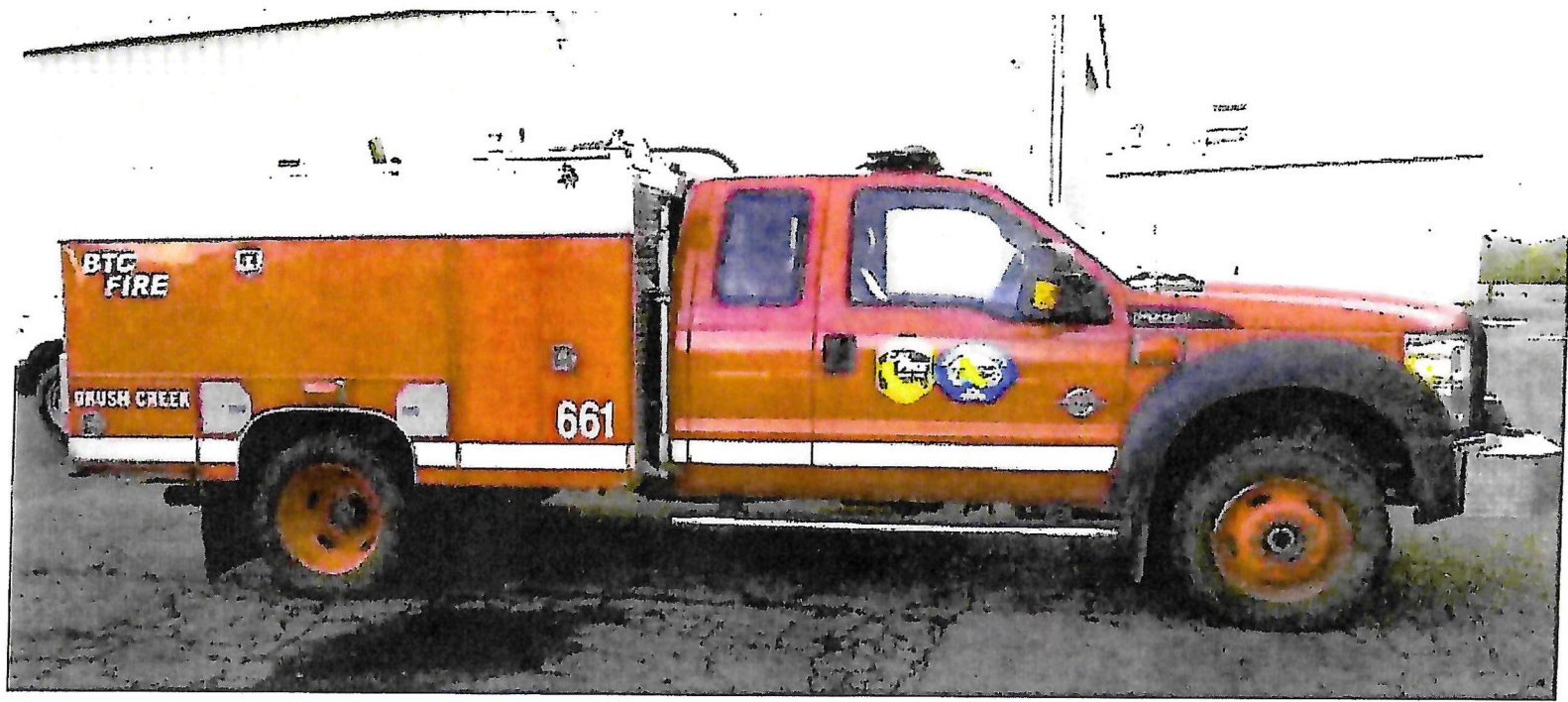
The LCFPD type-VI engine/rescue is staffed with ALS personnel and responds to all EMS related calls, rescues, and traffic collisions within the district and to adjacent fire districts and provides a complete ALS services to our community members. Due to our call volume of an average of 15.8 calls every 24-hours there are several times an ambulance is not available and this unit responds and do everything an ambulance can do with the exception of transporting the patient to the hospital and has been instrumental in responding to 1,246 call from January 1, 2023 to September 01, 2024 and within that time resulted in a field save of an individual in cardiac arrest.

7.3 Detailed Basis for Funding:

Assist the LCFPD with the purchase of a new type-VI engine/rescue to maintain a continuity of service when we experience stacked calls for service and transport units are delayed.

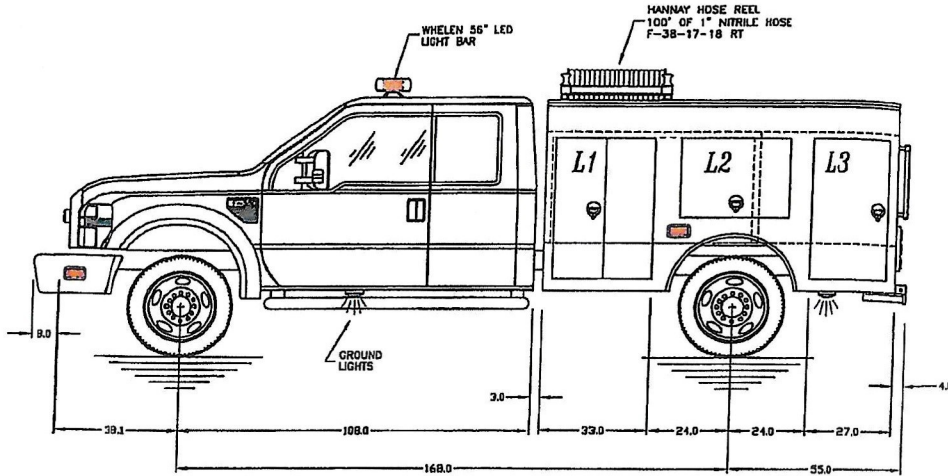
Respectfully submitted.

Willie Sapeta
Willie Sapeta, Fire Chief,

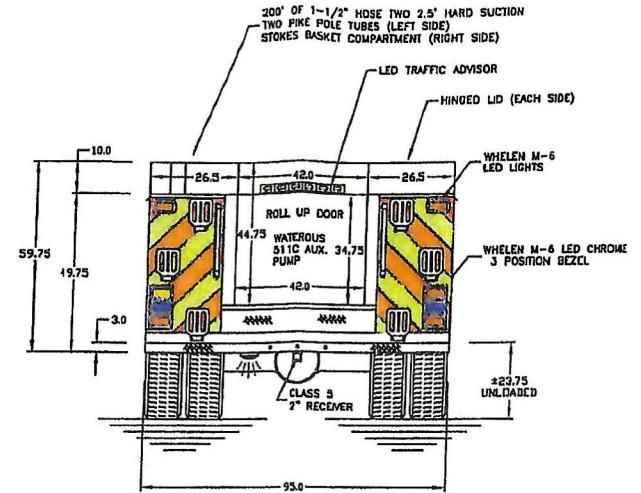




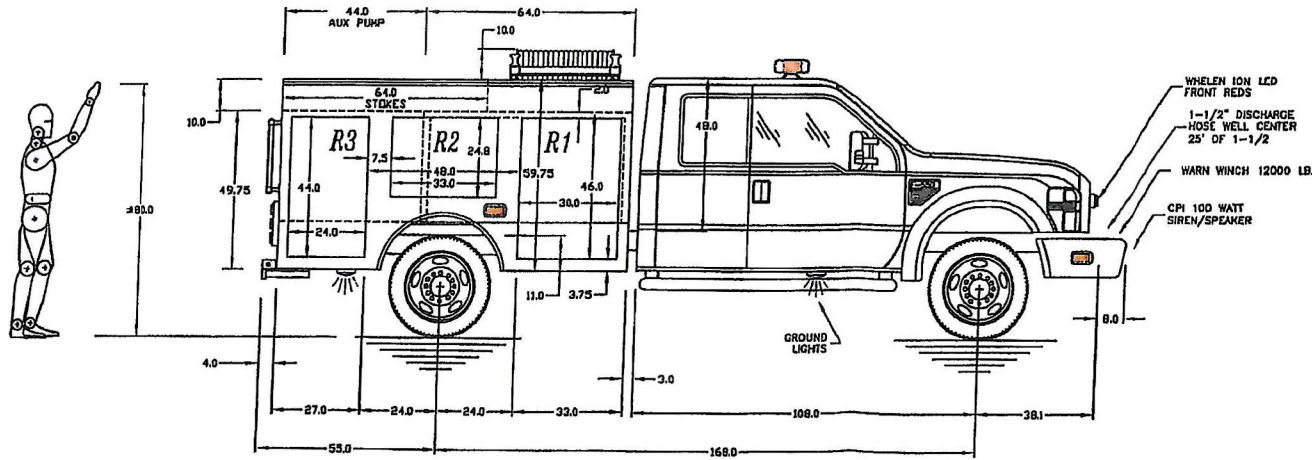
TYPE VI ENGINE



LEFT SIDE VIEW



REAR VIEW



RIGHT SIDE VIEW

COMPARTMENT DIMENSIONS			
INSIDE		OPENING	
L1	33" Wx48" Hx22.5" D	L9	30" Wx44" H
L2	48" Wx39" Hx22.5" D	L2	40.5" Wx34" H
L3	27" Wx45" Hx22.5" D	L3	24" Wx44" H
R1	33" Wx48" Hx22.5" D	R1	30" Wx44" H
R2	48" Wx39" Hx22.5" D	R2	40.5" Wx34" H
R3	27" Wx45" Hx22.5" D	R3	24" Wx44" H

HI-TECH EMERGENCY VEHICLE SERVICE
444 W. GARDNER ST. OAKLAND, CA 94611 (415)841-3042

BUTTE COUNTY F.D.

SCALE: _____ DRAWING NO: _____ CHECK NO. & APPROV: _____
DATE: 10-11-11 REVISED: _____

FORD F-550 EXTENDED CAB 168" W.B.
350gal WATER - 10gal FOAM TANK

CAD PRODUCED DRAWING

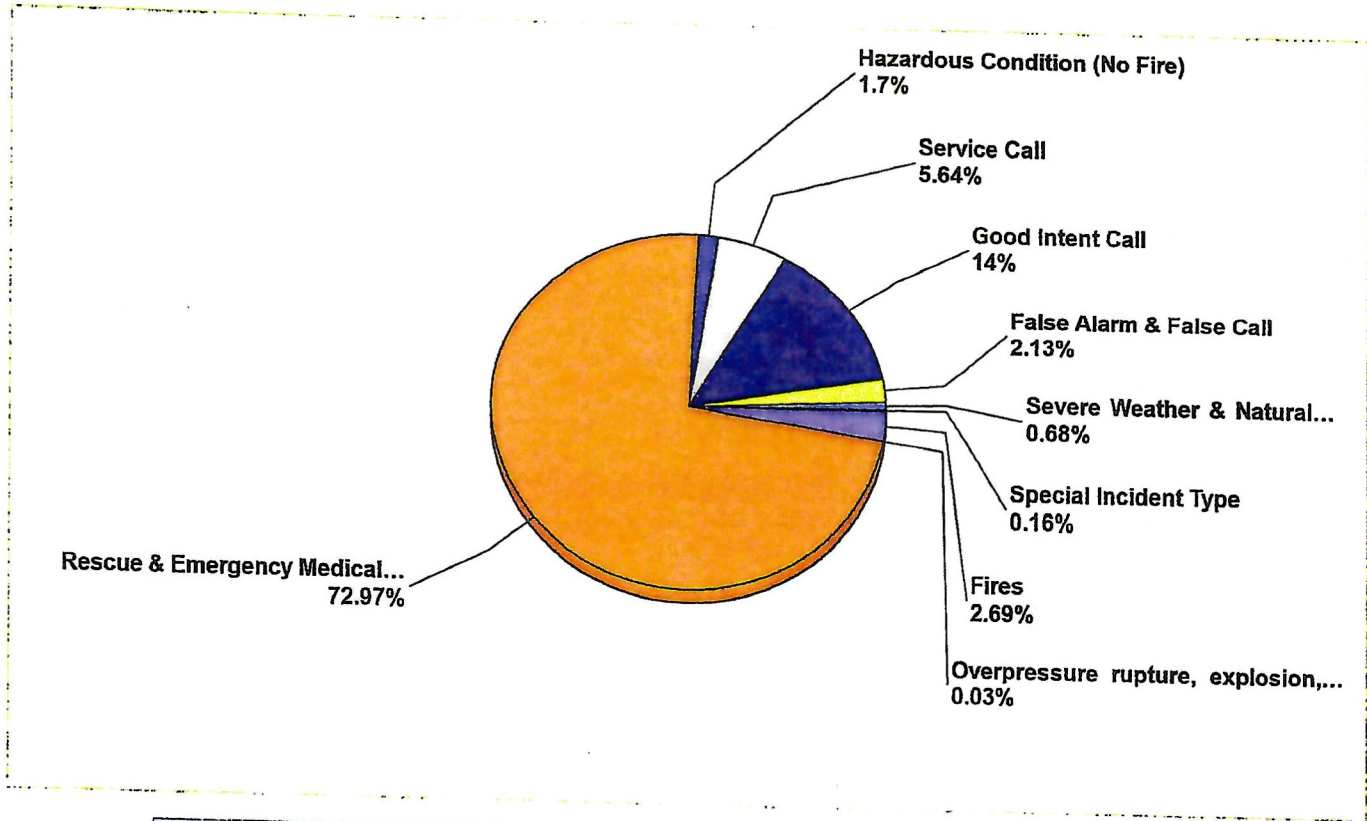
Lake County FPD

Clearlake, CA

This report was generated on 9/5/2024 11:42:21 AM

Breakdown by Major Incident Types for Date Range

Zone(s): All Zones | Start Date: 01/01/2023 | End Date: 09/01/2024



MAJOR INCIDENT TYPE	# INCIDENTS	% of TOTAL
Fires	259	2.69%
Overpressure rupture, explosion, overheating - no fire	3	0.03%
Rescue & Emergency Medical Service	7025	72.97%
Hazardous Condition (No Fire)	164	1.7%
Service Call	543	5.64%
Good Intent Call	1348	14%
False Alarm & False Call	205	2.13%
Severe Weather & Natural Disaster	65	0.68%
Special Incident Type	15	0.16%
TOTAL	9627	100%

Only REVIEWED and/or LOCKED IMPORTED incidents are included. Summary results for a major incident type are not displayed if the count is zero.

Detailed Breakdown by Incident Type

INCIDENT TYPE	# INCIDENTS	% of TOTAL
100 - Fire, other	16	0.17%
111 - Building fire	56	0.58%
112 - Fires in structure other than in a building	1	0.01%
113 - Cooking fire, confined to container	3	0.03%
114 - Chimney or flue fire, confined to chimney or flue	3	0.03%
116 - Fuel burner/boiler malfunction, fire confined	1	0.01%
118 - Trash or rubbish fire, contained	19	0.2%
121 - Fire in mobile home used as fixed residence	2	0.02%
122 - Fire in motor home, camper, recreational vehicle	5	0.05%
130 - Mobile property (vehicle) fire, other	4	0.04%
131 - Passenger vehicle fire	30	0.31%
134 - Water vehicle fire	1	0.01%
136 - Self-propelled motor home or recreational vehicle	1	0.01%
137 - Camper or recreational vehicle (RV) fire	8	0.08%
140 - Natural vegetation fire, other	5	0.05%
141 - Forest, woods or wildland fire	10	0.1%
142 - Brush or brush-and-grass mixture fire	21	0.22%
143 - Grass fire	38	0.39%
150 - Outside rubbish fire, other	14	0.15%
151 - Outside rubbish, trash or waste fire	13	0.14%
154 - Dumpster or other outside trash receptacle fire	1	0.01%
160 - Special outside fire, other	5	0.05%
161 - Outside storage fire	2	0.02%
220 - Overpressure rupture from air or gas, other	1	0.01%
251 - Excessive heat, scorch burns with no ignition	2	0.02%
300 - Rescue, EMS incident, other	18	0.19%
311 - Medical assist, assist EMS crew	92	0.96%
320 - Emergency medical service, other	807	8.38%
321 - EMS call, excluding vehicle accident with injury	5805	60.3%
322 - Motor vehicle accident with injuries	170	1.77%
323 - Motor vehicle/pedestrian accident (MV Ped)	17	0.18%
324 - Motor vehicle accident with no injuries.	110	1.14%
353 - Removal of victim(s) from stalled elevator	1	0.01%
356 - High-angle rescue	1	0.01%
360 - Water & ice-related rescue, other	1	0.01%
361 - Swimming/recreational water areas rescue	1	0.01%
381 - Rescue or EMS standby	2	0.02%
400 - Hazardous condition, other	35	0.36%
410 - Combustible/flammable gas/liquid condition, other	2	0.02%
411 - Gasoline or other flammable liquid spill	3	0.03%
412 - Gas leak (natural gas or LPG)	22	0.23%
413 - Oil or other combustible liquid spill	1	0.01%
420 - Toxic condition, other	1	0.01%
424 - Carbon monoxide incident	2	0.02%
440 - Electrical wiring/equipment problem, other	16	0.17%
441 - Heat from short circuit (wiring), defective/worn	8	0.08%
442 - Overheated motor	1	0.01%
444 - Power line down	61	0.63%
445 - Arcing, shorted electrical equipment	9	0.09%
463 - Vehicle accident, general cleanup	2	0.02%
481 - Attempt to burn	1	0.01%
500 - Service Call, other	43	0.45%
510 - Person in distress, other	49	0.51%
511 - Lock-out	17	0.18%
520 - Water problem, other	9	0.09%

Only REVIEWED and/or LOCKED IMPORTED incidents are included. Summary results for a major incident type are not displayed if the count is zero.



Detailed Breakdown by Incident Type

INCIDENT TYPE	# INCIDENTS	% of TOTAL
522 - Water or steam leak		
531 - Smoke or odor removal	3	0.03%
540 - Animal problem, other	7	0.07%
541 - Animal problem	2	0.02%
542 - Animal rescue	6	0.06%
550 - Public service assistance, other	5	0.05%
551 - Assist police or other governmental agency	85	0.88%
552 - Police matter	21	0.22%
553 - Public service	4	0.04%
554 - Assist invalid	40	0.42%
561 - Unauthorized burning	207	2.15%
600 - Good intent call, other	45	0.47%
611 - Dispatched & cancelled en route	54	0.56%
621 - Wrong location	1081	11.23%
622 - No incident found on arrival at dispatch address	1	0.01%
631 - Authorized controlled burning	135	1.4%
632 - Prescribed fire	15	0.16%
651 - Smoke scare, odor of smoke	1	0.01%
652 - Steam, vapor, fog or dust thought to be smoke	40	0.42%
653 - Smoke from barbecue, tar kettle	2	0.02%
671 - HazMat release investigation w/no HazMat	16	0.17%
700 - False alarm or false call, other	3	0.03%
710 - Malicious, mischievous false call, other	57	0.59%
711 - Municipal alarm system, malicious false alarm	2	0.02%
712 - Direct tie to FD, malicious false alarm	6	0.06%
715 - Local alarm system, malicious false alarm	1	0.01%
730 - System malfunction, other	6	0.06%
731 - Sprinkler activation due to malfunction	6	0.06%
733 - Smoke detector activation due to malfunction	2	0.02%
734 - Heat detector activation due to malfunction	43	0.45%
735 - Alarm system sounded due to malfunction	12	0.12%
736 - CO detector activation due to malfunction	15	0.16%
740 - Unintentional transmission of alarm, other	7	0.07%
741 - Sprinkler activation, no fire - unintentional	4	0.04%
743 - Smoke detector activation, no fire - unintentional	1	0.01%
744 - Detector activation, no fire - unintentional	25	0.26%
745 - Alarm system activation, no fire - unintentional	7	0.07%
746 - Carbon monoxide detector activation, no CO	8	0.08%
800 - Severe weather or natural disaster, other	3	0.03%
900 - Special type of incident, other	65	0.68%
911 - Citizen complaint	9	0.09%
	6	0.06%
TOTAL INCIDENTS:	9627	100%

Only REVIEWED and/or LOCKED IMPORTED incidents are included. Summary results for a major incident type are not displayed if the count is zero.



Lake County FPD

Clearlake, CA

This report was generated on 9/5/2024 3:12:49 PM

Average Turnout Time for Apparatus per Incident Type for Date Range

Apparatus: E6561 | Start Date: 01/01/2023 | End Date: 09/01/2024

INCIDENT TYPE	NUMBER OCCURRENCE	TURNOUT TIME MM:SS (Dispatch to Enroute)
Apparatus : E6561		
100 - Fire, other	3	2:40
111 - Building fire	1	0:00
118 - Trash or rubbish fire, contained	2	2:30
131 - Passenger vehicle fire	2	0:00
140 - Natural vegetation fire, other	1	5:00
143 - Grass fire	2	1:30
150 - Outside rubbish fire, other	1	0:00
151 - Outside rubbish, trash or waste fire	2	0:00
311 - Medical assist, assist EMS crew	4	0:30
320 - Emergency medical service, other	95	1:27
321 - EMS call, excluding vehicle accident with injury	504	1:10
322 - Motor vehicle accident with injuries	71	1:08
323 - Motor vehicle/pedestrian accident (MV Ped)	8	0:37
324 - Motor vehicle accident with no injuries.	43	1:04
356 - High-angle rescue	1	0:21
360 - Water & ice-related rescue, other	1	0:00
361 - Swimming/recreational water areas rescue	1	0:00
381 - Rescue or EMS standby	1	0:00
400 - Hazardous condition, other	12	0:34
412 - Gas leak (natural gas or LPG)	7	0:16
440 - Electrical wiring/equipment problem, other	3	1:20
444 - Power line down	16	1:35
445 - Arcing, shorted electrical equipment	1	0:00
463 - Vehicle accident, general cleanup	2	0:00
500 - Service Call, other	10	0:52
510 - Person in distress, other	2	0:00
511 - Lock-out	6	1:20
520 - Water problem, other	2	0:00
531 - Smoke or odor removal	1	0:00
540 - Animal problem, other	1	19:00
541 - Animal problem	1	0:00
542 - Animal rescue	1	0:00
550 - Public service assistance, other	8	0:00
551 - Assist police or other governmental agency	6	0:38
552 - Police matter	1	6:58
553 - Public service	4	0:00
554 - Assist invalid	28	1:59
561 - Unauthorized burning	8	1:22
600 - Good intent call, other	8	1:22
621 - Wrong location	1	0:45
622 - No incident found on arrival at dispatch address	27	0:00
631 - Authorized controlled burning	4	1:05
651 - Smoke scare, odor of smoke	7	0:00
652 - Steam, vapor, fog or dust thought to be smoke	1	0:51
653 - Smoke from barbecue, tar kettle	3	0:00
671 - HazMat release investigation w/no HazMat	1	1:20
		2:00

Report calculates the average time difference between DISPATCH and ENROUTE times on Basic Info 4. Only REVIEWED incidents where ENROUTE time is provided are included.



emergencyreporting.com

Doc Id: 487

Page # 1 of 2

700 - False alarm or false call, other	9	1:06
733 - Smoke detector activation due to malfunction	3	2:40
734 - Heat detector activation due to malfunction	4	4:00
735 - Alarm system sounded due to malfunction	2	0:00
736 - CO detector activation due to malfunction	2	2:00
743 - Smoke detector activation, no fire - unintentional	1	0:00
744 - Detector activation, no fire - unintentional	1	1:17
745 - Alarm system activation, no fire - unintentional	1	3:00
746 - Carbon monoxide detector activation, no CO	1	5:00
800 - Severe weather or natural disaster, other	29	0:29
900 - Special type of incident, other	1	0:28
911 - Citizen complaint	1	0:00

Report calculates the average time difference between DISPATCH and ENROUTE times on Basic Info 4. Only REVIEWED incidents where ENROUTE time is provided are included.



Lake County FPD

Clearlake, CA

π

This report was generated on 9/5/2024 3:30:15 PM

Incident Count per Zone for Apparatus for Date Range

Apparatus: E6561 | Start Date: 01/01/2023 | End Date: 09/01/2024

ZONE	# INCIDENTS
APPARATUS: E6561	
50 - Mutual aid 50	6
55 - Mutual aid 55	25
60 - Mutual Aid 60	64
65 - Zone 1	282
65 - Zone 2	165
65 - Zone 3	125
70 - Zone 1	320
70 - Zone 2	144
70 - Zone 3	43
75 - Mutual Aid 75	78
80 - mutual aid 80	1

1,246 MUTUAL AID
Responses

